

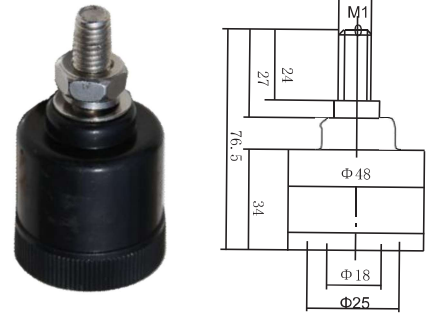
No.	Rated Voltage KV(rms)	MCOV KV(rms)	DC 1mA Reference voltage (kV) \geq	Current impulse Residual Voltage			Long impulse current 2000 μ S (A)	High current impulse withstand (kA)	0.75 DC Senate Reference voltage Maximum Leakage Stream (μ S)	Creepage distance (mm)
				1/4 μ s Steep current impulse KV(crest)	8/20 μ s Lightning current impulse KV(crest)	30/60 μ s Switching current impulse KV(crest)				
YH5W-3	3	2.55	4.5	11.3	9	8.9	150	65	<50	280
YH5W-9	9	7.65	13.5	33.7	27	23.8	150	65	<50	300
YH5W-11	11	10.2	16.5	42.2	36	27	150	65	<50	350
YH5W-21	21	17	31.5	71.8	63	54.2	150	65	<50	650
YH5W-24	24	19.5	36	82	72	62	150	65	<50	650
YH5W-33	33	27.5	49.5	112	99	86.7	150	65	<50	780
YH5W-36	36	29	54	117	103	92.4	150	65	<50	910
YH10W-3	3	2.55	4.5	11.3	9	8.9	250	100	<50	280
YH10W-9	9	7.65	13.5	33.7	27	23.8	250	100	<50	300
YH10W-11	11	10.2	16.5	42.2	36	27	250	100	<50	350
YH10W-21	21	17	31.5	71.8	63	54.2	250	100	<50	650
YH10W-24	24	19.5	36	82	72	62	250	100	<50	650
YH10W-33	33	27.5	49.5	112	99	86.7	250	100	<50	780
YH10W-36	36	29	54	117	103	92.4	250	100	<50	910



No.	Rated Voltage KV(rms)	MCOV KV(rms)	DC 1mA Reference voltage (kV) \geq	Current impulse Residual Voltage			Long impulse current 2000 μ S (A)	High current impulse withstand (kA)	0.75 DC Senate Reference voltage Maximum Leakage Stream (μ S)	Creepage distance (mm)
				1/4 μ s Steep current impulse KV(crest)	8/20 μ s Lightning current impulse KV(crest)	30/60 μ s Switching current impulse KV(crest)				
YH5W-3	3	2.55	4.5	11.3	9	8.9	150	65	<50	280
YH5W-9	9	7.65	13.5	33.7	27	23.8	150	65	<50	300
YH5W-11	11	10.2	16.5	42.2	36	27	150	65	<50	350
YH5W-21	21	17	31.5	71.8	63	54.2	150	65	<50	650
YH5W-24	24	19.5	36	82	72	62	150	65	<50	650
YH5W-33	33	27.5	49.5	112	99	86.7	150	65	<50	780
YH5W-36	36	29	54	117	103	92.4	150	65	<50	910
YH10W-3	3	2.55	4.5	11.3	9	8.9	250	100	<50	280
YH10W-9	9	7.65	13.5	33.7	27	23.8	250	100	<50	300
YH10W-11	11	10.2	16.5	42.2	36	27	250	100	<50	350
YH10W-21	21	17	31.5	71.8	63	54.2	250	100	<50	650
YH10W-24	24	19.5	36	82	72	62	250	100	<50	650
YH10W-33	33	27.5	49.5	112	99	86.7	250	100	<50	780
YH10W-36	36	29	54	117	103	92.4	250	100	<50	910

Lightning arrester Out of device

The disconnector which can be damaged by lightning arrester, which can make the lead wire and the system break to eliminate the fault of the system. TL-1 type out of the device is a kind of explosive type, product performance in line with the provisions of IEC60099-4.



Ampere second characteristic

Action characteristic	Power frequency current			Square wave impulse current tolerance	High current tolerance
	20	200	800	600	100



Arrester mounting bracket

Overview of counter products

JS8, JS8A type discharge counter (hereinafter referred to as the counter) is connected in series with the arrester below. A device used to record the number of arrester, JS8 type for 6kv-220kv voltage level; JS8A type for valve type lightning arrester voltage is 330kV and above, use the same site environmental condition and the arrester is connected, the altitude does not exceed 4000 meters, the ambient temperature is -40 DEG ~+40 deg. It does not apply to gases with severe corrosion of metal and insulation, there is a serious pollution and there is a violent vibration of the place.



Counter

Harmonic elimination product overview

L6~35kv type LXQ voltage transformer neutral point with a non-linear resistance Association damper (referred to as the harmonic elimination device) is installed in the 6~35kv voltage transformer (PT) primary winding Y. A nonlinear resistive damping device between the neutral point and the ground. Compared with the traditional ROX type, LXQ type harmonic elimination device from the point of improving the heat capacity of harmonic elimination, the great improvement in the design, the use of electric eliminator superiority and superfine SiC as base material, the large tonnage hydraulic machine pressed into the body of high density, in reducing atmosphere after thousands of high sintering temperature. The resistor surface structure exposed by special treatment, can withstand the sun and rain, can be directly used for outdoor. As a result of small size, light weight, high strength, fast heat dissipation, the new type LXQ type harmonic elimination device removed the ceramic shell of the traditional RXQ type harmonic elimination device, which is more convenient to install and is favored by the users.



Harmonic elimination device



GUTUO ELECTRICAL

