

## Lightning protection products



### Feature Surge Arrester Core Assembled in Four Parts

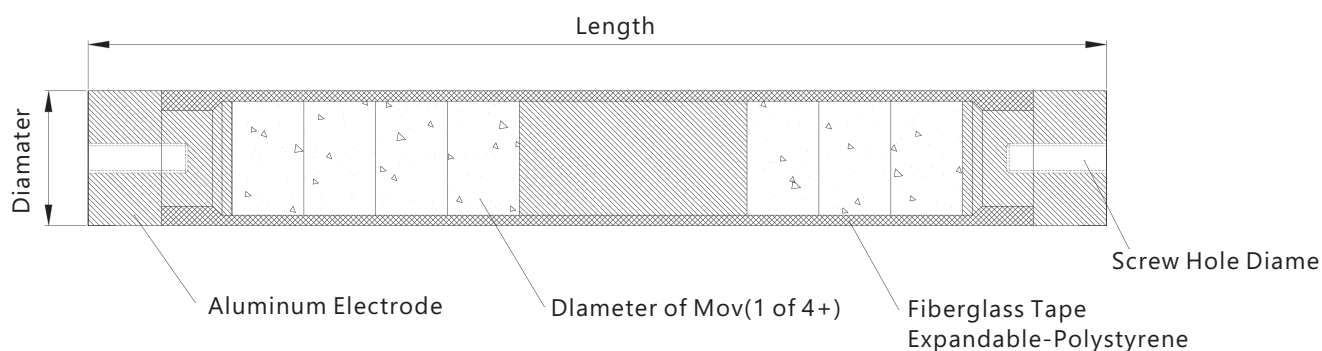
1. Metal Oxide Varistor Assembled in the Middle Part
2. Fiberglass Tape Wrapped Around the MOV Surface
3. Aluminum Electrodes Fixed on Both Ends
4. Expandable Polystyrene Injected Around MOV Stack

### Technical parameters and selection table

Mov Diameter (mm)	Arrester Core Diameter (mm)	Arrester Core Length (mm)	Screw Hole Diameter
Φ32	Φ36-40	65-280(Max.)	M6-M16
Φ28-30	Φ36-40	65-280(Max.)	M6-M16
Φ28-32	Φ36-40	65-280(Max.)	M6-M16
Φ28-32	Φ36-40	65-380(Max.)	M6-M16
Density		≥ 1.37g/cm <sup>3</sup>	
Hygroscopicity		0.5%	
Bending Strength		≥ 500MPa	
Dielectric Dissipation Factor		≤ 0.01	
Leak Current		≤ 10μA	
Insulation Resistance		≥ 5*10 <sup>4</sup> MΩ	
Power Frequency Dry Resisting Vol.		60kV/min(No Flashover)	
Aging Test		Kct ≤ 1.0(1000h)	
Heat Distortion Temperature		180-220°C	

We also can customize the surge arrester core (diameter and length) as per customer's request.

### Arrester Core Drawing(mm):



The drawing is only for reference purpose and the quantity of MOV is according to customers specific request or protected equipment Please also note that the size of MOV and aluminum electrode can be customized.

## Lightning protection products

### Feature Surge Arrester Core Assembled in Four Parts

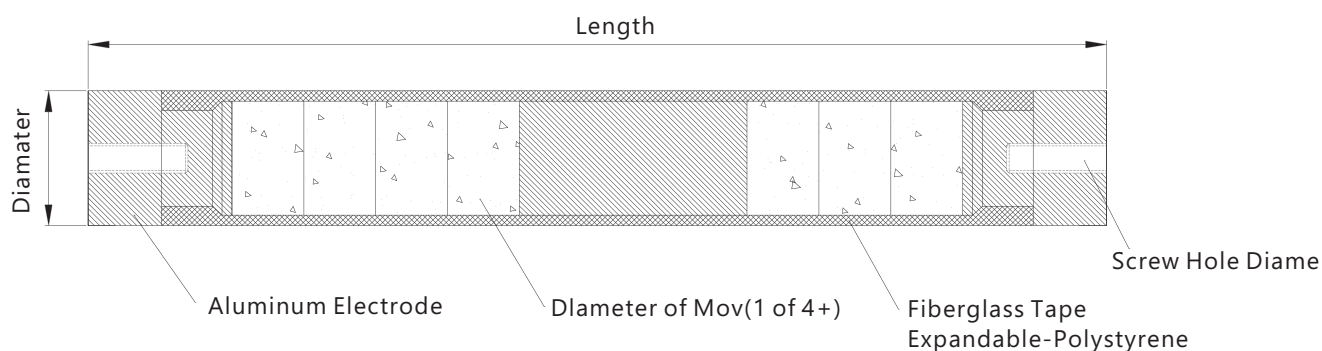
1. Metal Oxide Varistor Assembled in the Middle Part
2. Fiberglass Tape Wrapped Around the MOV Surface
3. Aluminum Electrodes Fixed on Both Ends
4. Expandable Polystyrene Injected Around MOV Stack

### Technical parameters and selection table

Mov Diameter (mm)	Arrester Core Diameter (mm)	Arrester Core Length (mm)	Screw Hole Diameter
Φ28-35	Φ40	65-380(Max.)	M6-M16
Φ28-35	Φ42	65-380(Max.)	M6-M16
Φ28-38	Φ44-45	65-380(Max.)	M6-M16
Φ28-38	Φ48	65-380(Max.)	M6-M16
Density		≥ 1.37g/cm <sup>3</sup>	
Hygroscopicity		0.5%	
Bending Strength		≥ 500MPa	
Dielectric Dissipation Factor		≤ 0.01	
Leak Current		≤ 10μA	
Insulation Resistance		≥ 5*10 <sup>4</sup> MΩ	
Power Frequency Dry Resisting Vol.		60kV/min(No Flashover)	
Aging Test		Kct ≤ 1.0(1000h)	
Heat Distortion Temperature		180-220°C	

We also can customize the surge arrester core (diameter and length) as per customer's request.

### Arrester Core Drawing(mm):



The drawing is only for reference purpose and the quantity of MOV is according to customers specific request or protected equipment Please also note that the size of MOV and aluminum electrode can be customized.

## Lightning protection products



### Feature Surge Arrester Core Assembled in Four Parts

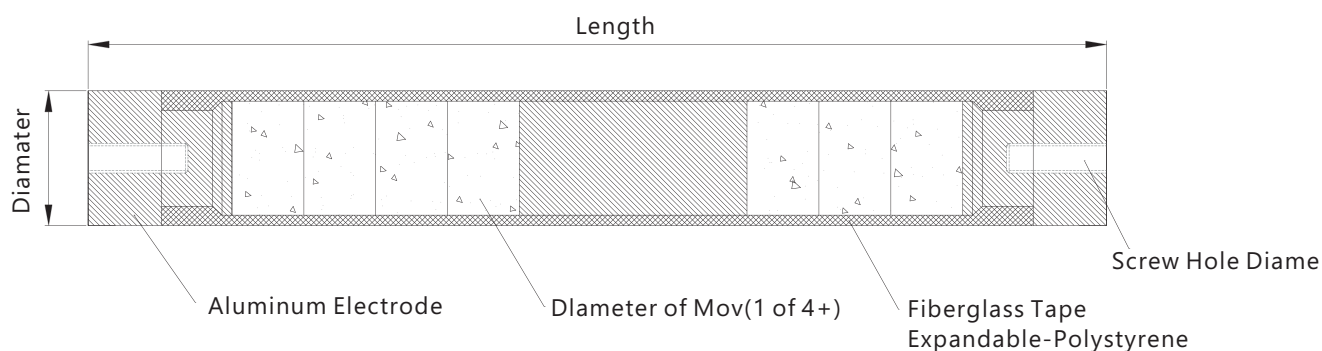
1. Metal Oxide Varistor Assembled in the Middle Part
2. Fiberglass Tape Wrapped Around the MOV Surface
3. Aluminum Electrodes Fixed on Both Ends
4. Expandable Polystyrene Injected Around MOV Stack

### Technical parameters and selection table

Mov Diameter (mm)	Arrester Core Diameter (mm)	Arrester Core Length (mm)	Screw Hole Diameter
Φ28-35	Φ40	65-320(Max.)	M6-M16
Φ28-35	Φ42	65-380(Max.)	M6-M16
Φ28-38	Φ46-52	65-320(Max.)	M6-M16
Φ28-46	Φ46-52	65-380(Max.)	M6-M16
Density		≥ 1.37g/cm <sup>3</sup>	
Hygroscopicity		0.5%	
Bending Strength		≥ 500MPa	
Dielectric Dissipation Factor		≤ 0.01	
Leak Current		≤ 10μA	
Insulation Resistance		≥ 5*10 <sup>4</sup> MΩ	
Power Frequency Dry Resisting Vol.		60kV/min(No Flashover)	
Aging Test		Kct ≤ 1.0(1000h)	
Heat Distortion Temperature		180-220°C	

We also can customize the surge arrester core (diameter and length) as per customer's request.

### Arrester Core Drawing(mm):



The drawing is only for reference purpose and the quantity of MOV is according to customers specific request or protected equipment Please also note that the size of MOV and aluminum electrode can be customized.

## Lightning protection products



### Feature Surge Arrester Core Assembled in Four Parts

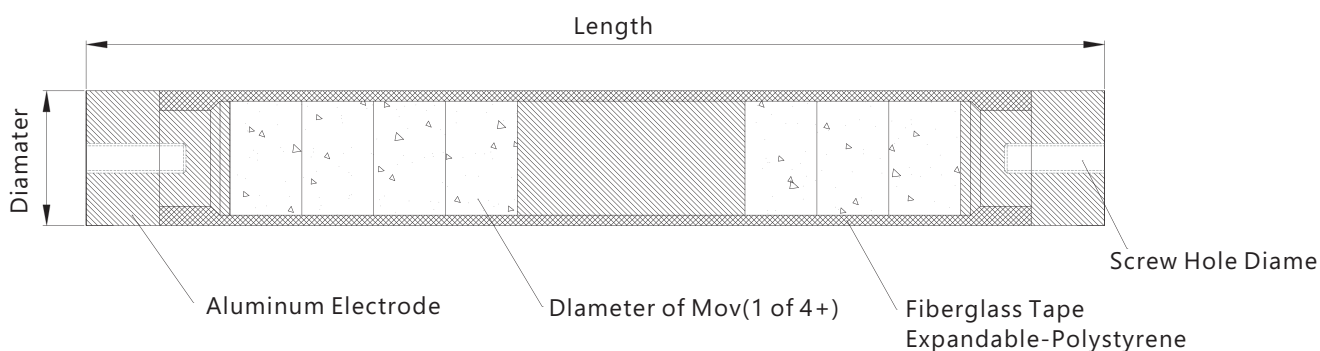
1. Metal Oxide Varistor Assembled in the Middle Part
2. Fiberglass Tape Wrapped Around the MOV Surface
3. Aluminum Electrodes Fixed on Both Ends
4. Expandable Polystyrene Injected Around MOV Stack

### Technical parameters and selection table

Mov Diameter (mm)	Arrester Core Diameter (mm)	Arrester Core Length (mm)	Screw Hole Diameter
Φ28-44	Φ53	65-550(Max.)	M6-M16
Φ28-46	Φ58	65-550(Max.)	M6-M16
Density		≥ 1.37g/cm <sup>3</sup>	
Hygroscopicity		0.5%	
Bending Strength		≥ 500MPa	
Dielectric Dissipation Factor		≤ 0.01	
Leak Current		≤ 10μA	
Insulation Resistance		≥ 5*10 <sup>4</sup> MΩ	
Power Frequency Dry Resisting Vol.		60kV/min(No Flashover)	
Aging Test		Kct≤ 1.0(1000h)	
Heat Distortion Temperature		180-220°C	

We also can customize the surge arrester core (diameter and length) as per customer's request.

### Arrester Core Drawing(mm):



The drawing is only for reference purpose and the quantity of MOV is according to customers specific request or protected equipment Please also note that the size of MOV and aluminum electrode can be customized.